



# MB1F-10~MB10F-10

## Surface Mount Glass Passivated Bridge Rectifiers

### Features

- Glass Passivated Chip Junction
- Reverse Voltage - 100 to 1000 V
- High Surge Current Capability
- Designed for Surface Mount Application

### MBF



- 1.Input Pin(~)      2.Input Pin(~)  
3.Output Anode(+)      4.Output Cathode (-)

### Marking Code:

MB1F-10: 10M1  
MB2F-10: 10M2  
MB4F-10: 10M4  
MB6F-10: 10M6  
MB8F-10: 10M8  
MB10F-10: 10M10

### Maximum Ratings and Electrical Characteristics

Ratings at 25°C ambient temperature unless otherwise specified. Single phase half-wave 60 Hz, resistive or inductive load, for capacitive load current derate by 20 %.

Parameter	Symbols	MB1F-10	MB2F-10	MB4F-10	MB6F-10	MB8F-10	MB10F-10	Units
Maximum Repetitive Peak Reverse Voltage	$V_{RRM}$	100	200	400	600	800	1000	V
Maximum RMS Voltage	$V_{RMS}$	70	140	280	420	560	700	V
Maximum DC Blocking Voltage	$V_{DC}$	100	200	400	600	800	1000	V
Maximum Average Rectified Output Current at $T_C = 125^\circ\text{C}$	$I_o$	1.0						A
Peak Forward Surge Current 8.3 ms Single Half Sine Wave Superimposed on Rated Load (JEDEC Method)	$I_{FSM}$	35						A
Maximum Instantaneous Forward Voltage at 1 A	$V_F$	1.1						V
Maximum DC Reverse Current at Rated DC Blocking Voltage $T_A = 25^\circ\text{C}$ $T_A = 125^\circ\text{C}$	$I_R$	5 40						$\mu\text{A}$
Typical Junction Capacitance <sup>Note1</sup>	$C_j$	13						pF
Typical Thermal Resistance <sup>Note2</sup>	$R_{\theta JA}$ $R_{\theta JC}$	80 25						$^\circ\text{C}/\text{W}$
Junction Temperature	$T_J$	150						$^\circ\text{C}$
Storage Temperature Range	$T_{STG}$	-55 to +150						$^\circ\text{C}$

### Note:

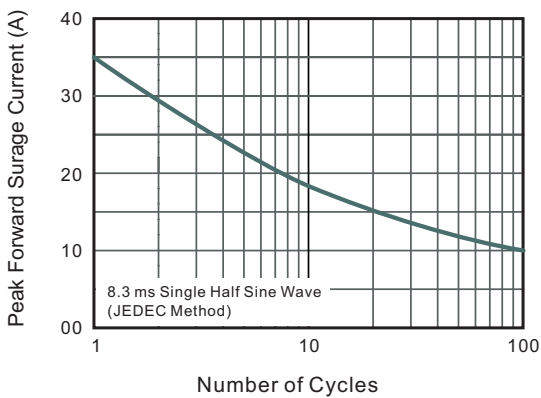
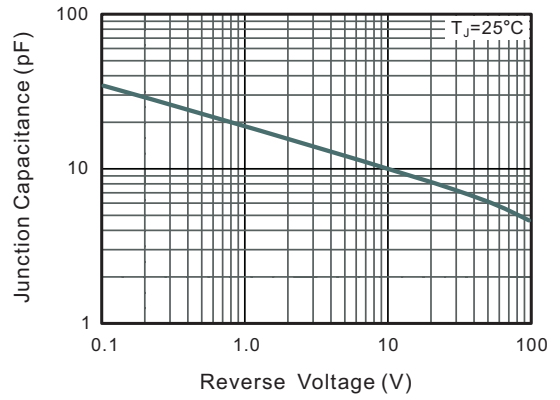
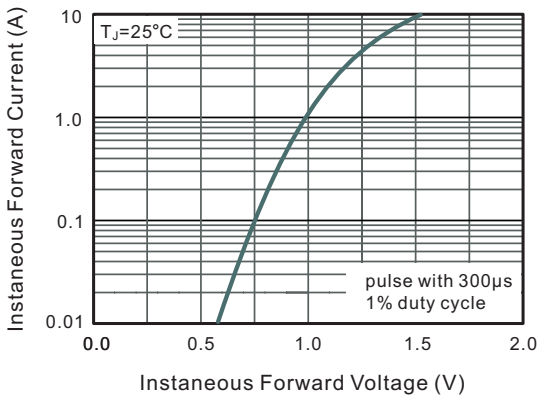
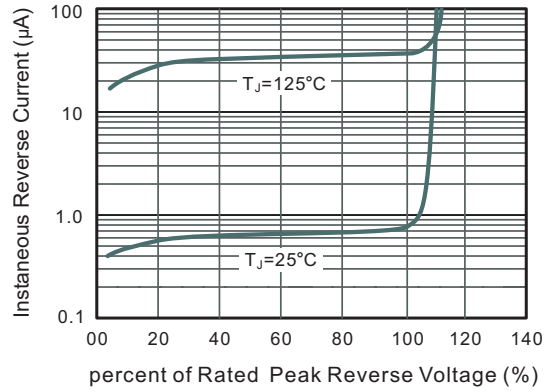
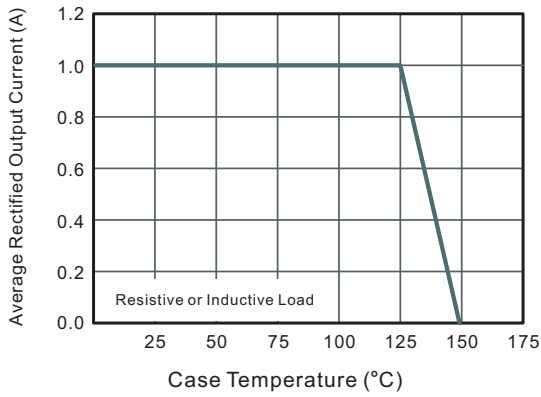
1. Measured at 1 MHz and applied reverse voltage of 4 V D.C
2. Mounted on glass epoxy PC board with 4×1.5"×1.5" (3.81×3.81 cm) copper pad.



# MB1F-10~MB10F-10

## Surface Mount Glass Passivated Bridge Rectifiers

### Typical Characteristic Curves





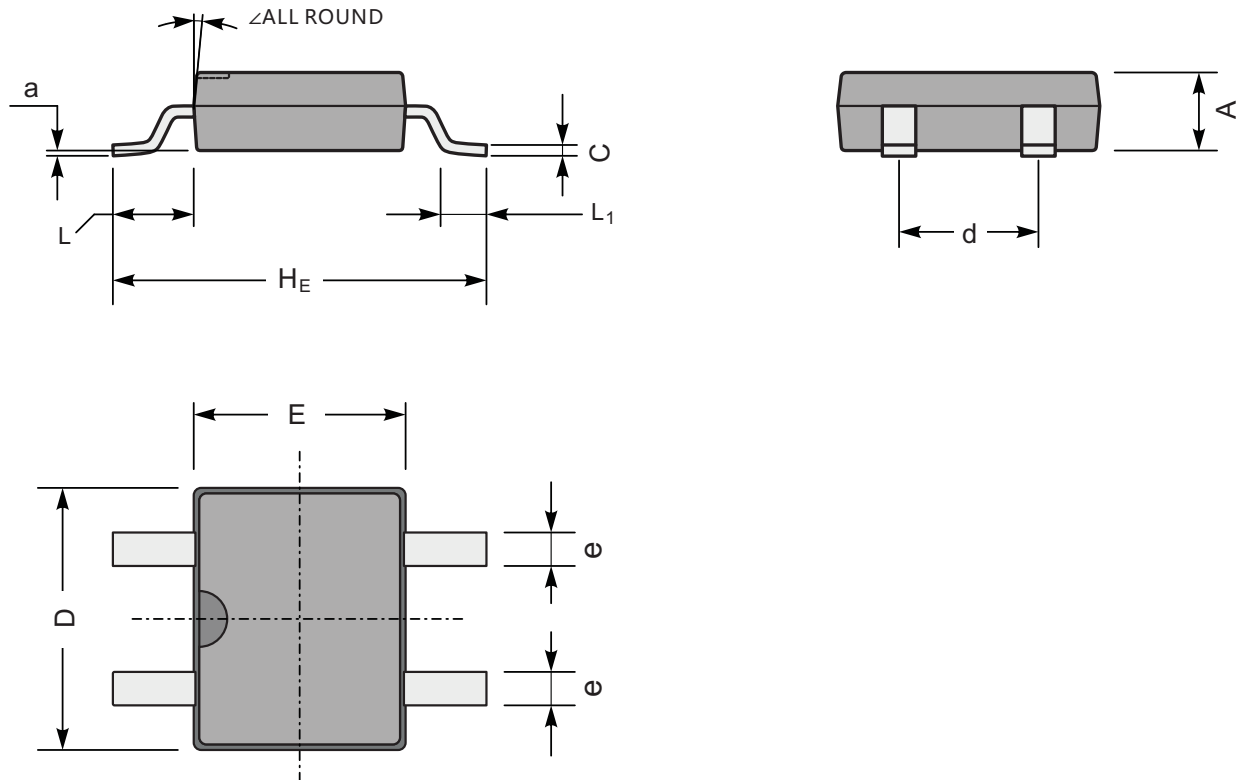
# MB1F-10~MB10F-10

## Surface Mount Glass Passivated Bridge Rectifiers

### Package Outline

MBF

Dimensions in mm



MBF mechanical data

UNIT		A	C	D	E	H <sub>E</sub>	d	e	L	L <sub>1</sub>	a	∠
mm	max	1.6	0.22	5.0	4.1	7.0	2.7	0.8	1.7	1.1	0.2	7°
	min	1.2	0.15	4.5	3.6	6.4	2.3	0.5	1.3	0.5	—	
mil	max	63	8.7	197	161	276	106	31	67	43	8	
	min	47	5.9	177	142	252	91	20	51	20	—	