



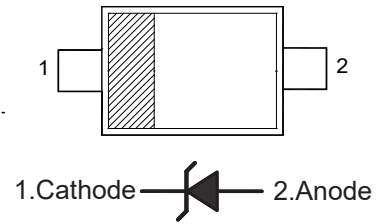
MM5Z2V4AW~MM5Z75AW

Silicon Planar Zener Diodes

Features

- Total power dissipation: 200mW max
- Designed for surface mount
- Wide zener reverse voltage range: 2.4V to 75V

SOD-523



Absolute Maximum Ratings at $T_A = 25\text{ }^\circ\text{C}$

Parameter	Symbols	Value	Unit
Maximum Power Dissipation	P_D	200	mW
Junction Temperature	T_J	150	$^\circ\text{C}$
Storage Temperature Range	T_{STG}	-65 to +150	$^\circ\text{C}$

Characteristics at $T_A = 25\text{ }^\circ\text{C}$

Parameter	Symbols	Max.	Unit
Forward Voltage at $I_F = 10\text{ mA}$	V_F	0.9	V



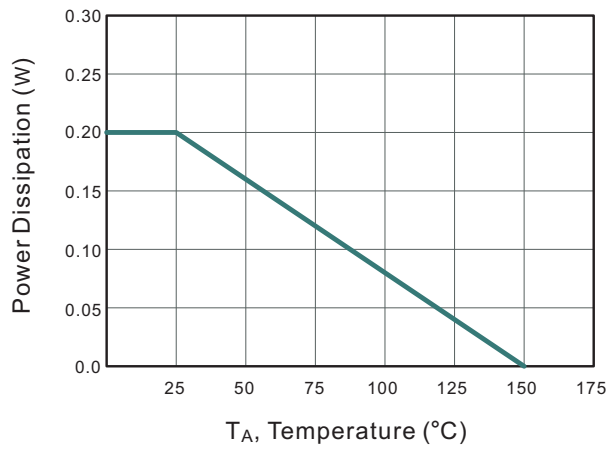
Characteristics at $T_A = 25\text{ }^\circ\text{C}$

Type	Marking Code	Zener Voltage ^{Note1}				Zener Impedance			Leakage Current	
		V_{ZT}			at I_{ZT}	Z_{ZT}	Z_{ZK}	at I_{ZK}	I_R	at V_R
		Min.(V)	Nom.(V)	Max.(V)	(mA)	(Ω)	(Ω)	(mA)	(μ A)	(V)
MM5Z2V4AW	Z7	2.3	2.4	2.5	5	100	1000	1	120	1
MM5Z2V7AW	A8	2.6	2.7	2.8	5	100	1000	1	120	1
MM5Z3V0AW	B8	2.9	3	3.2	5	100	1000	1	50	1
MM5Z3V3AW	C8	3.1	3.3	3.5	5	95	1000	1	20	1
MM5Z3V6AW	D8	3.4	3.6	3.8	5	90	1000	1	10	1
MM5Z3V9AW	E8	3.7	3.9	4.1	5	90	1000	1	5	1
MM5Z4V3AW	F8	4.1	4.3	4.5	5	90	1000	1	5	1
MM5Z4V7AW	G8	4.5	4.7	4.9	5	80	800	1	2	1
MM5Z5V1AW	H8	4.8	5.1	5.4	5	60	500	1	2	1.5
MM5Z5V6AW	I8	5.3	5.6	5.9	5	40	200	1	1	2.5
MM5Z6V2AW	J8	5.9	6.2	6.5	5	10	100	1	1	3
MM5Z6V8AW	K8	6.5	6.8	7.1	5	15	160	1	0.5	3.5
MM5Z7V5AW	L8	7.1	7.5	7.9	5	15	160	1	0.5	4
MM5Z8V2AW	M8	7.8	8.2	8.6	5	15	160	1	0.5	5
MM5Z9V1AW	N8	8.6	9.1	9.6	5	15	160	1	0.5	6
MM5Z10AW	O8	9.5	10	10.5	5	20	160	1	0.1	7
MM5Z11AW	P8	10.5	11	11.6	5	20	160	1	0.1	8
MM5Z12AW	Q8	11.4	12	12.6	5	25	80	1	0.1	9
MM5Z13AW	R8	12.6	13.25	13.9	5	30	80	1	0.1	10
MM5Z15AW	S8	14.3	15	15.8	5	30	80	1	0.1	11
MM5Z16AW	T8	15.4	16.2	17.0	2	40	80	1	0.1	12
MM5Z18AW	U8	17.1	18	18.9	2	45	80	1	0.1	13
MM5Z20AW	V8	19.0	20	21.0	2	55	100	1	0.1	15
MM5Z22AW	W8	20.9	22	23.1	2	55	100	1	0.1	17
MM5Z24AW	X8	23.0	24.2	25.4	2	70	120	1	0.1	19
MM5Z27AW	Y8	25.7	27	28.4	2	80	300	1	0.1	21
MM5Z30AW	Z8	28.5	30	31.5	2	80	300	1	0.1	23
MM5Z33AW	A9	31.4	33	34.7	2	80	300	1	0.1	25
MM5Z36AW	B9	34.2	36	37.8	2	90	500	1	0.1	27
MM5Z39AW	C9	37.1	39	41.0	2	130	500	1	2	30
MM5Z43AW	D9	40.9	43	45.2	1	150	500	1	2	33
MM5Z47AW	E9	44.7	47	49.4	1	170	500	1	2	36
MM5Z51AW	F9	48.5	51	53.6	1	180	500	1	1	39
MM5Z56AW	G9	53.2	56	58.8	1	200	500	1	1	43
MM5Z62AW	H9	58.9	62	65.1	1	215	500	1	0.2	47
MM5Z68AW	I9	64.6	68	71.4	1	240	500	1	0.2	52
MM5Z75AW	J9	71.3	75	78.8	1	255	500	1	0.2	57

Note: 1. Tested with pulses $t_p = 20\text{ ms}$.



Typical Characteristic Curves



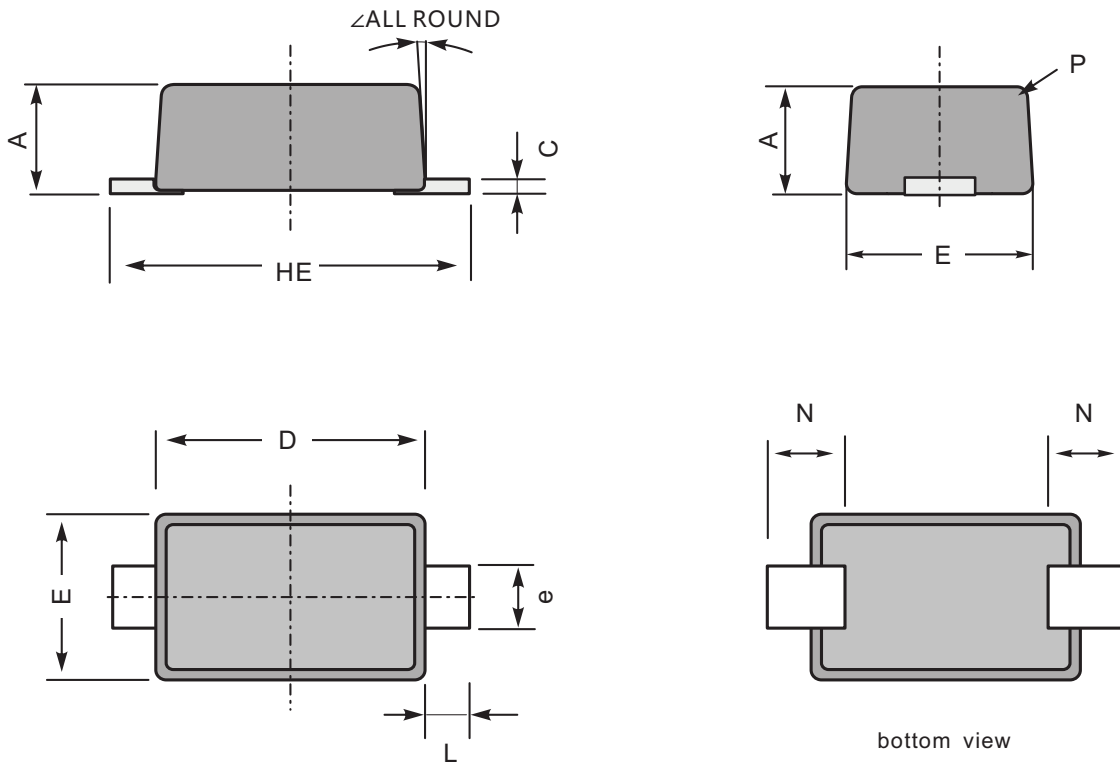


MM5Z2V4AW~MM5Z75AW Silicon Planar Zener Diodes

Package Outline

SOD-523

Dimensions in mm



UNIT		A	e	C	D	E	HE	N	L	P	\sphericalangle
mm	max	0.77	0.35	0.15	1.30	0.99	1.70	0.35 ref	0.2 ref	R0.1 ALL ROUND	$10^\circ \pm 1^\circ$
	min	0.51	0.25	0.08	1.10	0.75	1.50				
mil	max	30	14	6	51	39	67	14 ref	8.0 ref	R4.0 ALL ROUND	
	min	20	10	3	43	30	59				