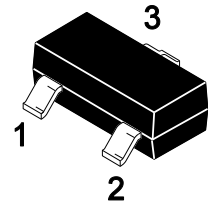


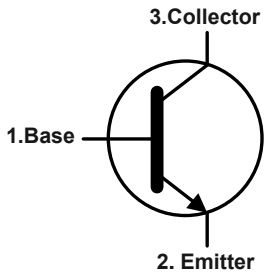
### Features

- For Switching and AF Amplifier Applications.

SOT-23



### Equivalent Circuit



1.Base 2.Emitter 3.Collector

### Marking Code :

MMBT9018G : T8

MMBT9018H : J8

### Absolute Maximum Ratings

Ratings at 25°C ambient temperature unless otherwise specified.

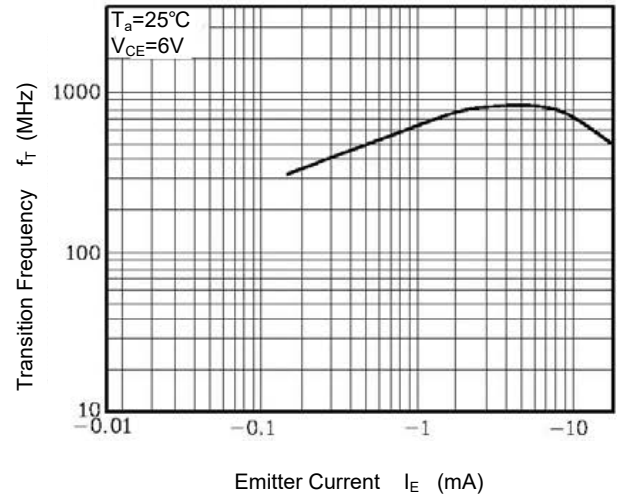
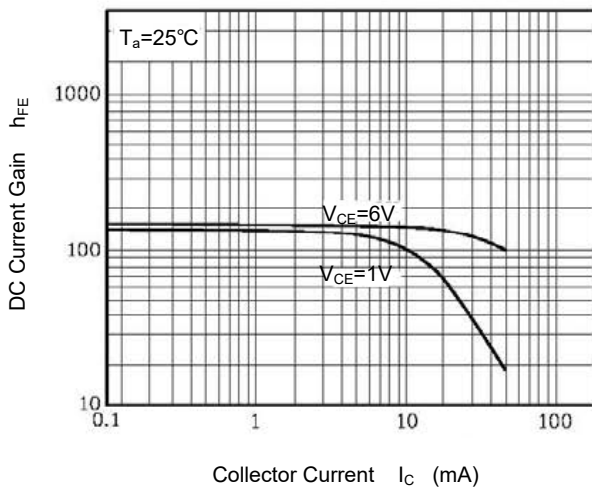
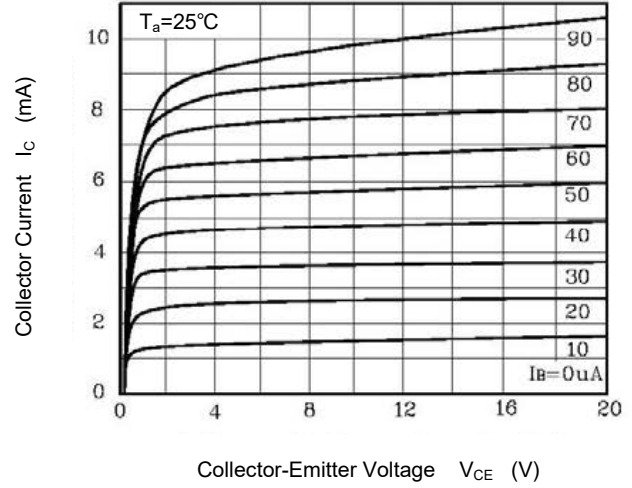
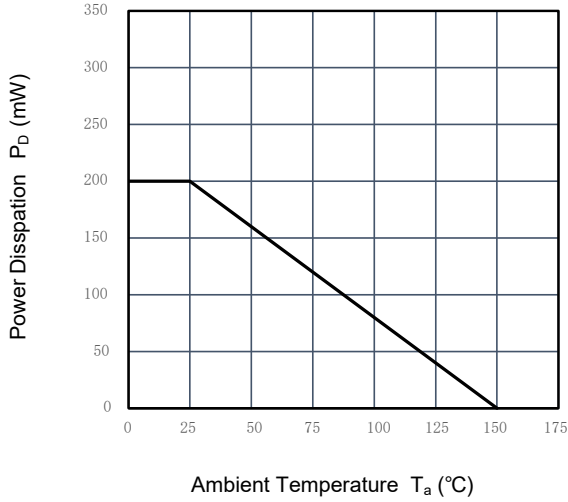
Parameter	Symbol	Value	Unit
Collector Base Voltage	$V_{CB0}$	30	V
Collector Emitter Voltage	$V_{CEO}$	15	V
Emitter Base Voltage	$V_{EBO}$	5	V
Collector Current	$I_c$	50	mA
Maximum Power Dissipation	$P_D$	200	mW
Junction Temperature	$T_J$	150	°C
Storage Temperature Range	$T_{STG}$	-55 to +150	°C



### Electrical Characteristics (T<sub>A</sub>=25°C)

Parameter	Symbol	Min.	Typ.	Max.	Unit
DC Current Gain at V <sub>CE</sub> = 5 V, I <sub>C</sub> = 1 mA Gain Group	G H H <sub>FE</sub>	72 97	-- --	108 190	--
Collector Base Cutoff Current at V <sub>CB</sub> = 12 V	I <sub>CB0</sub>	--	--	50	nA
Collector Base Breakdown Voltage at I <sub>C</sub> = 100 μA	V <sub>(BR)CBO</sub>	30	--	--	V
Collector Emitter Breakdown Voltage at I <sub>C</sub> = 1 mA	V <sub>(BR)CEO</sub>	15	--	--	V
Emitter Base Breakdown Voltage at I <sub>E</sub> = 100 μA	V <sub>(BR)EBO</sub>	5	--	--	V
Collector Emitter Saturation Voltage at I <sub>C</sub> = 10 mA, I <sub>B</sub> = 1 mA	V <sub>CE(sat)</sub>	--	--	0.5	V
Transition Frequency at V <sub>CE</sub> = 5 V, I <sub>C</sub> = 5 mA	F <sub>T</sub>	700	1100	--	MHz
Output Capacitance at V <sub>CB</sub> = 10 V, f = 1 MHz	C <sub>ob</sub>	--	1.3	1.7	pF

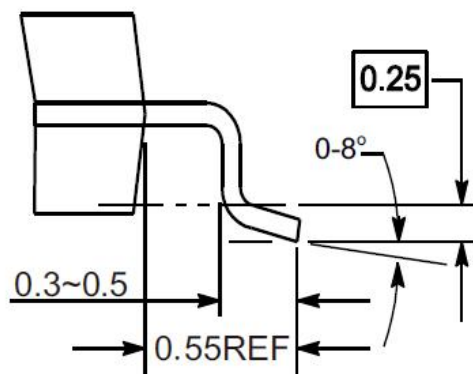
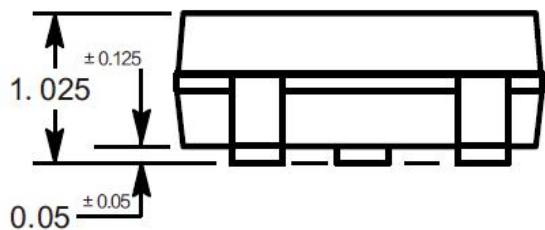
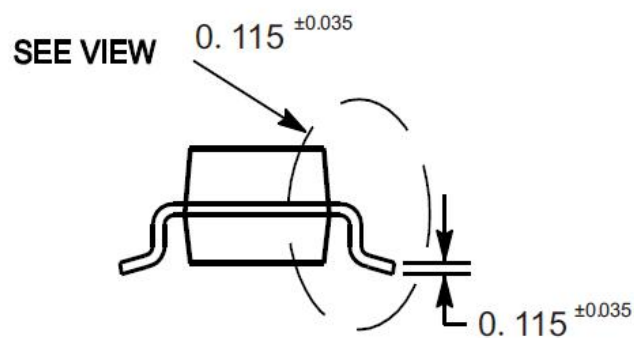
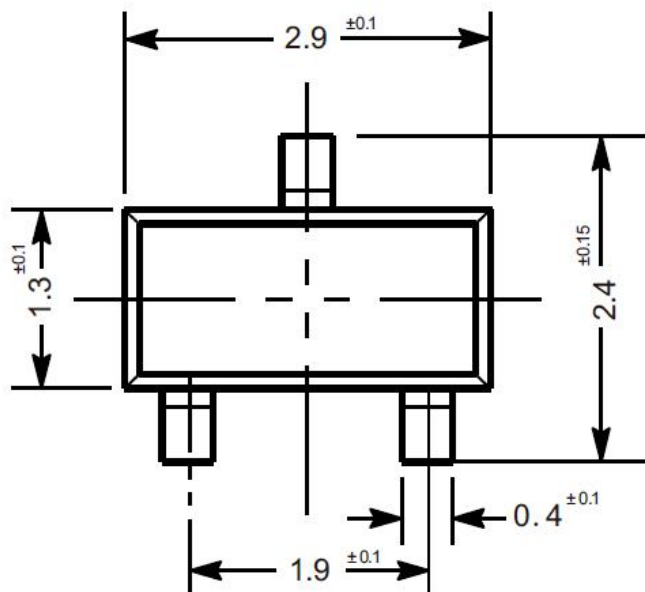
### Typical Characteristic Curves



### Package Outline

SOT-23

Dimensions in mm



VIEW C

### Ordering Information

Device	Package	Shipping
MMBT9018	SOT-23	3,000PCS/Reel&7inches

### Conditions of Soldering and Storage

#### ◆ Recommended condition of reflow soldering



Recommended peak temperature is over 245 °C. If peak temperature is below 245 °C, you may adjust the following parameters:

- Time length of peak temperature (longer)
- Time length of soldering (longer)
- Thickness of solder paste (thicker)

#### ◆ Conditions of hand soldering

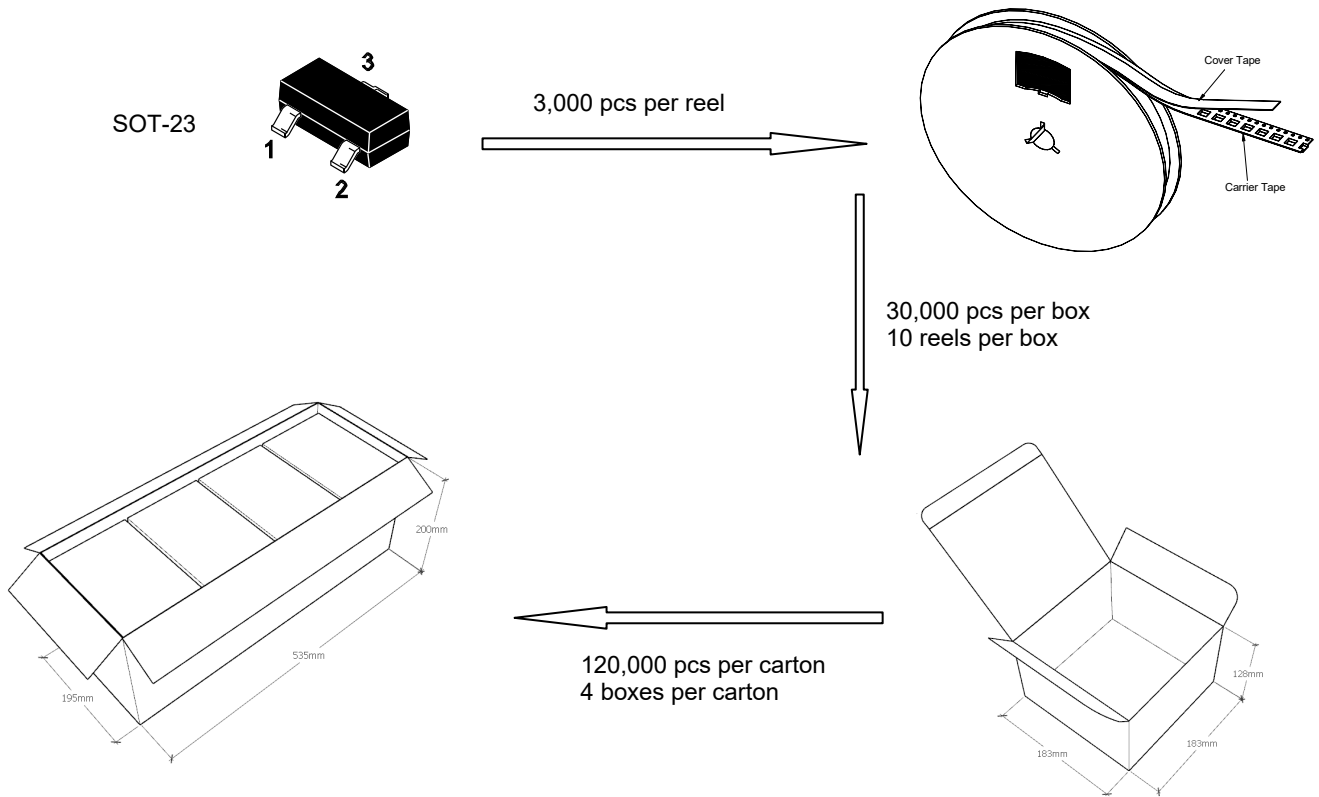
- Temperature: 370 °C
- Time: 3s max.
- Times: one time

#### ◆ Storage conditions

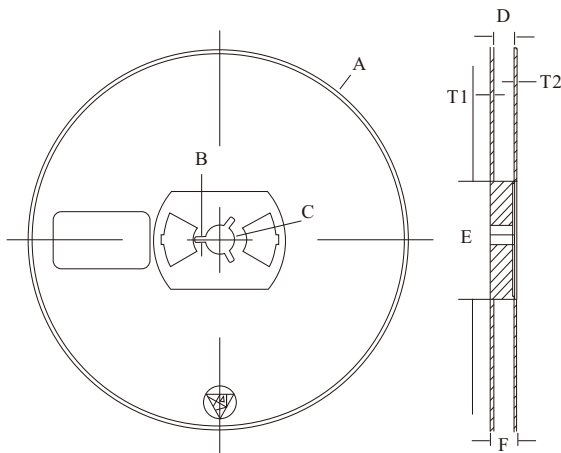
- **Temperature**  
5 to 40 °C
- **Humidity**  
30 to 80% RH
- **Recommended period**  
One year after manufacturing

### Package Specifications

- The method of packaging



### ◆ Embossed tape and reel data



Symbol	Value (unit: mm)
A	Ø 177.8±1
B	2.7±0.2
C	Ø 13.5±0.2
E	Ø 54.5±0.2
F	12.3±0.3
D	9.6+2/-0.3
T1	1.0±0.2
T2	1.2±0.2

Reel (7")

