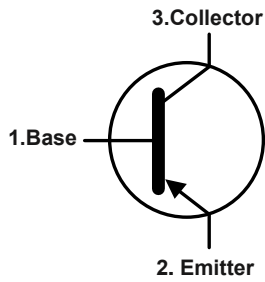


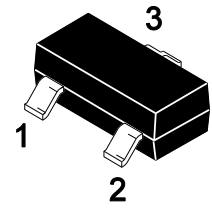
### Features

- For Switching and AF Amplifier Applications.

### Equivalent Circuit



### SOT-23



1.Base 2.Emitter 3.Collector

### Marking Code :

MMBTSB1116L:JCL

MMBTSB1116K:JCK

MMBTSB1116U:JCU

### Absolute Maximum Ratings

Ratings at 25°C ambient temperature unless otherwise specified.

Parameter	Symbol	Value	Unit
Collector Base Voltage	$-V_{CB0}$	60	V
Collector Emitter Voltage	$-V_{CEO}$	50	V
Emitter Base Voltage	$-V_{EBO}$	6	V
Collector Current	$-I_C$	1	A
Maximum Power Dissipation	$P_D$	350	mW
Junction Temperature	$T_J$	150	°C
Storage Temperature Range	$T_{STG}$	- 55 to + 150	°C

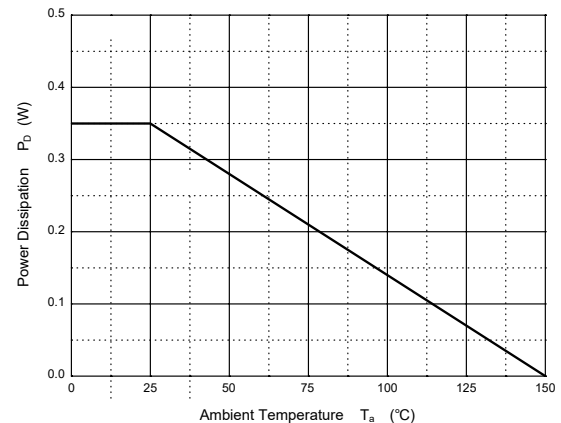
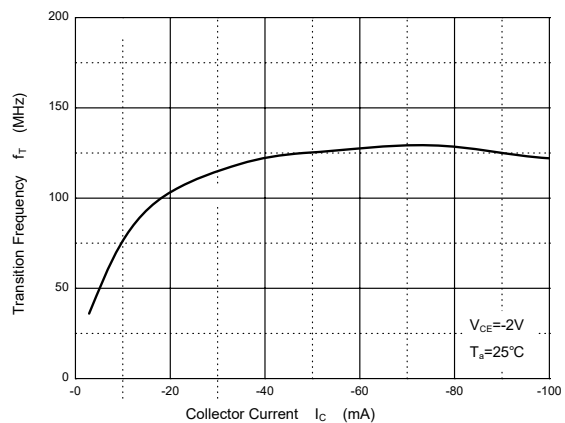
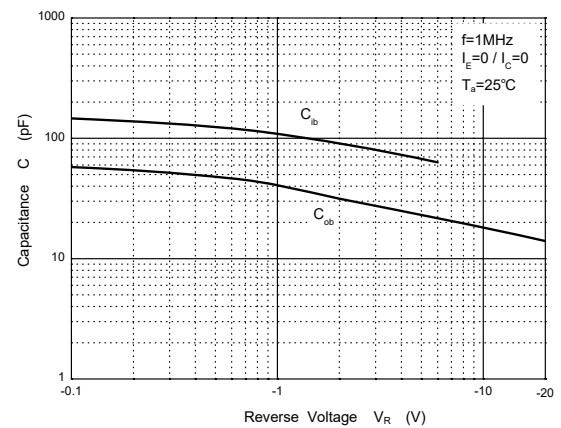
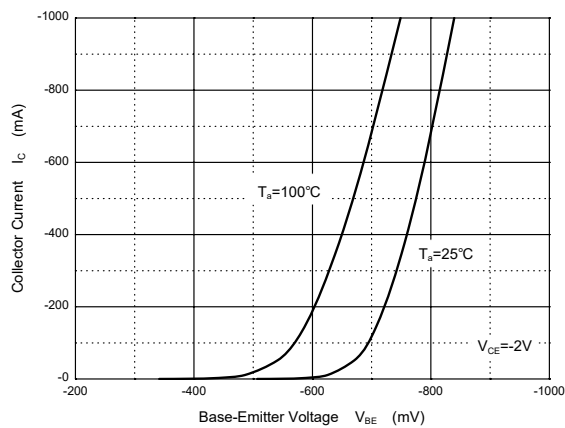
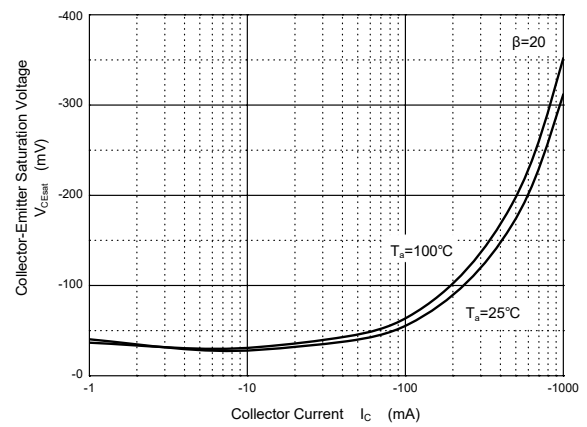
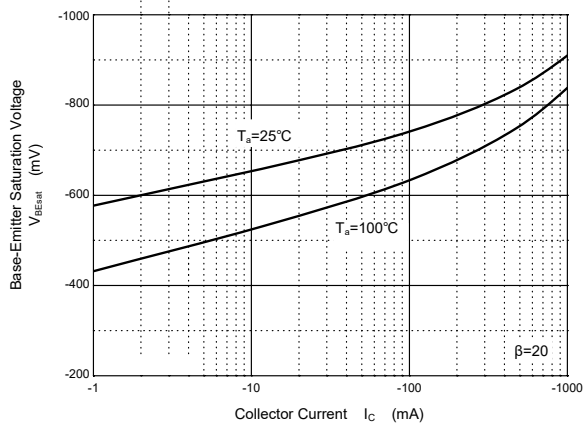
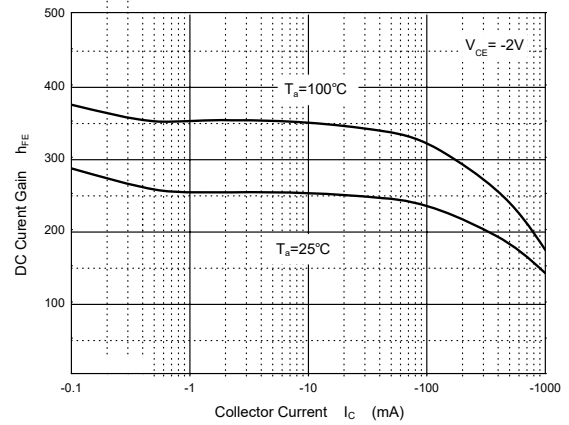
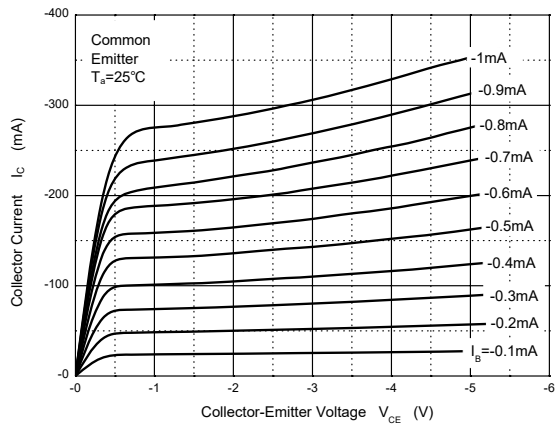


### Electrical Characteristics (T<sub>A</sub>=25°C)

Parameter	Symbol	Min.	Typ.	Max.	Unit
DC Current Gain at V <sub>CE</sub> = -2 V, I <sub>C</sub> = -0.1 A	Gain Group L K U H <sub>FE</sub>	135	--	270	--
		200	--	400	
		300	--	600	
		81	--	--	
at V <sub>CE</sub> = -2 V, I <sub>C</sub> = -1 A					
Collector Base Cutoff Current at V <sub>CB</sub> = -60V	-I <sub>CBO</sub>	--	--	0.1	μA
Emitter Base Cutoff Current at V <sub>EB</sub> = -6 V	-I <sub>EBO</sub>	--	--	0.1	μA
Collector Base Breakdown Voltage at I <sub>C</sub> = -100 μA	-V <sub>(BR)CBO</sub>	60	--	--	V
Collector Emitter Breakdown Voltage at I <sub>C</sub> = -1 mA	-V <sub>(BR)CEO</sub>	50	--	--	V
Emitter Base Breakdown Voltage at I <sub>E</sub> = -100 μA	-V <sub>(BR)EBO</sub>	6	--	--	V
Collector Emitter Saturation Voltage at I <sub>C</sub> = -1 A, I <sub>B</sub> = -50 mA	-V <sub>CE(sat)</sub>	--	--	0.3	V
Base Emitter Saturation Voltage at I <sub>C</sub> = -1 A, I <sub>B</sub> = -50 mA	-V <sub>BE(sat)</sub>	--	--	1.2	V
Transition Frequency at V <sub>CE</sub> = -2 V, I <sub>C</sub> = -0.1 A	F <sub>T</sub>	70	--	--	MHz
Output Capacitance at V <sub>CB</sub> = -10 V, I <sub>E</sub> = 0, f = 1MHz	C <sub>ob</sub>	--	25	--	pF



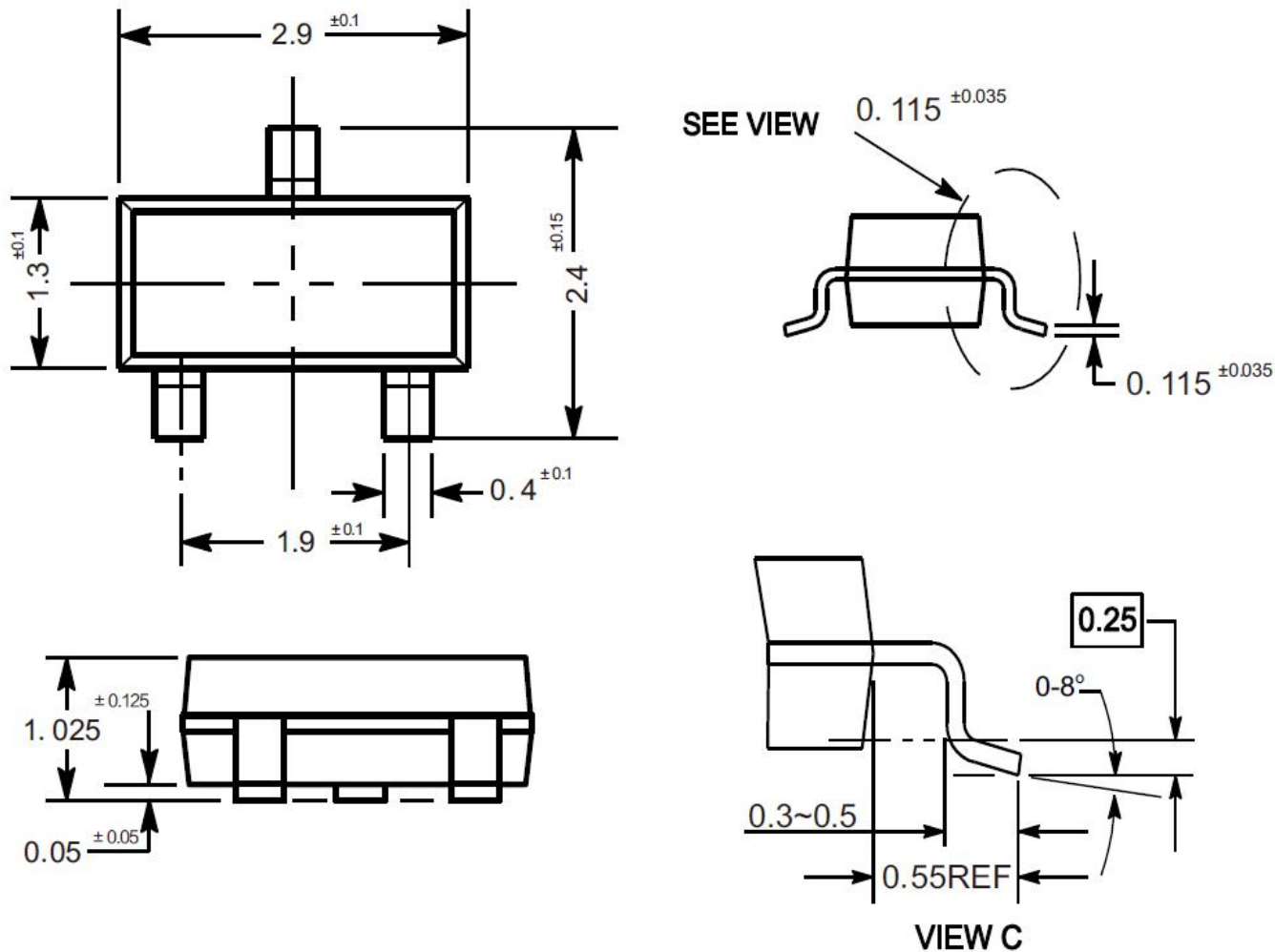
### Typical Characteristic Curves



### Package Outline

SOT-23

Dimensions in mm



### Ordering Information

Device	Package	Shipping
MMBTSB1116	SOT-23	3,000PCS/Reel&7inches

### Conditions of Soldering and Storage

#### ◆ Recommended condition of reflow soldering



Recommended peak temperature is over 245 °C. If peak temperature is below 245 °C, you may adjust the following parameters:

- Time length of peak temperature (longer)
- Time length of soldering (longer)
- Thickness of solder paste (thicker)

#### ◆ Conditions of hand soldering

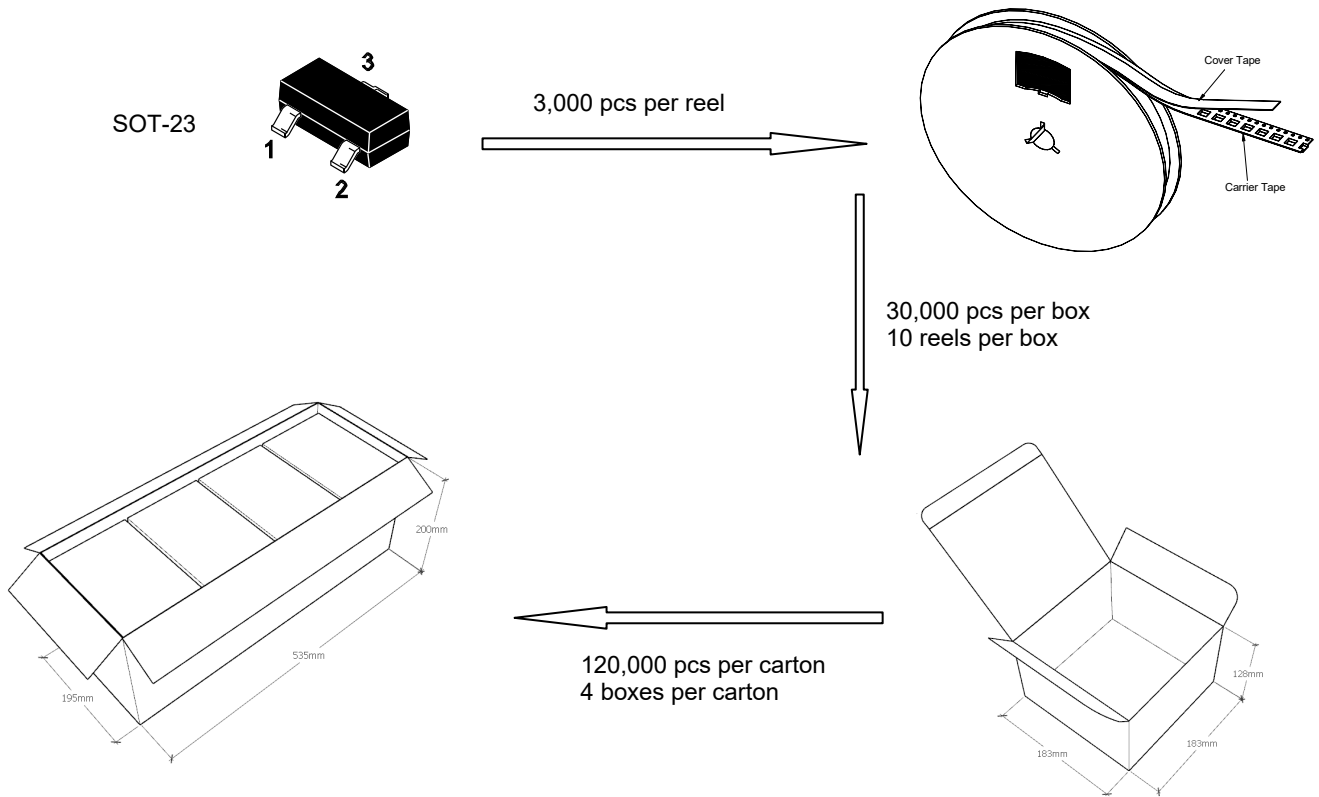
- Temperature: 370 °C
- Time: 3s max.
- Times: one time

#### ◆ Storage conditions

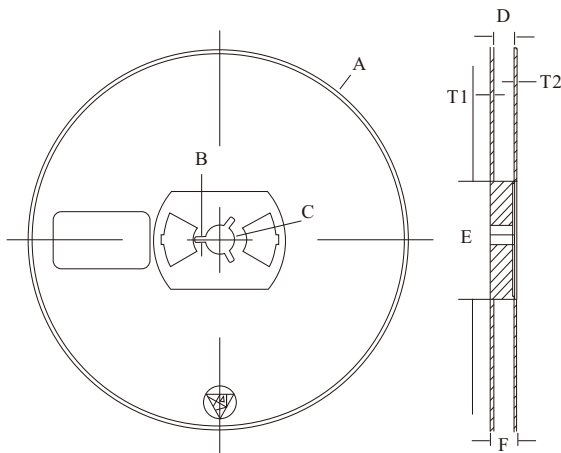
- **Temperature**  
5 to 40 °C
- **Humidity**  
30 to 80% RH
- **Recommended period**  
One year after manufacturing

### Package Specifications

- The method of packaging



### ◆ Embossed tape and reel data



Symbol	Value (unit: mm)
A	Ø 177.8±1
B	2.7±0.2
C	Ø 13.5±0.2
E	Ø 54.5±0.2
F	12.3±0.3
D	9.6+2/-0.3
T1	1.0±0.2
T2	1.2±0.2

Reel (7")

