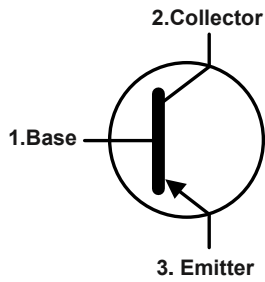


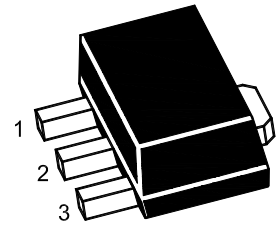
## Features

- For Switching and Amplifier Applications.

## Equivalent Circuit



## SOT-89



1.Base 2.Collector 3. Emitter

Marking Code : 2907A

## Absolute Maximum Ratings

Ratings at 25°C ambient temperature unless otherwise specified.

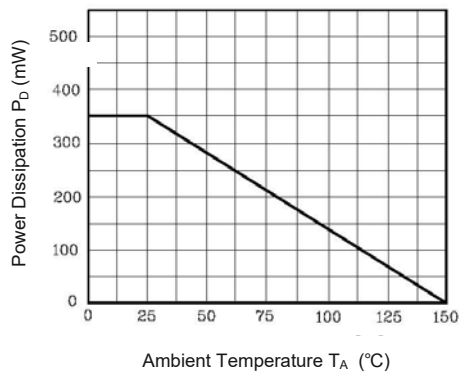
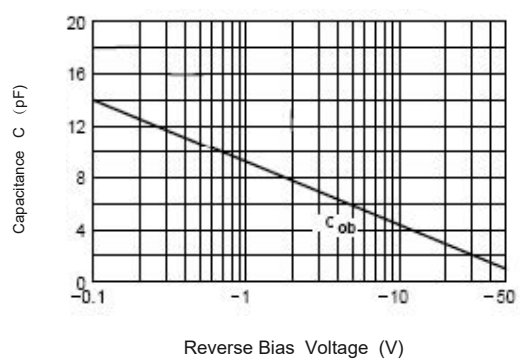
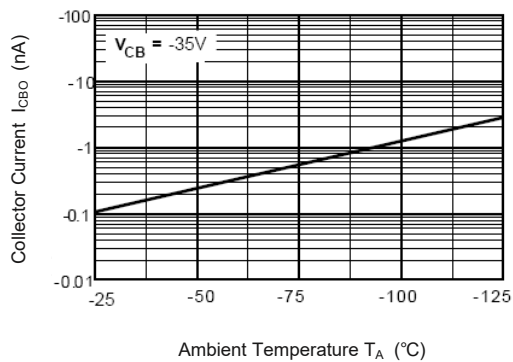
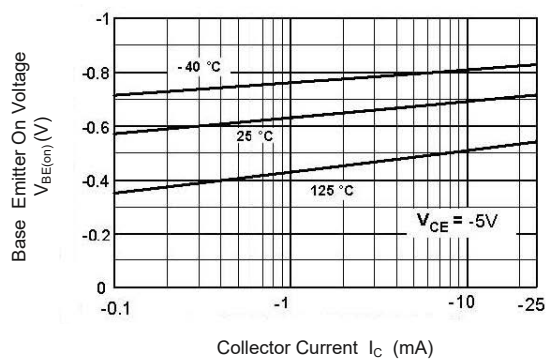
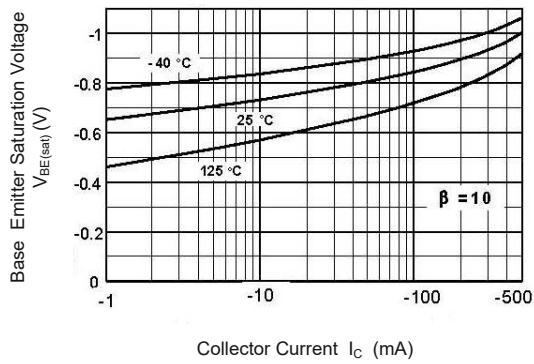
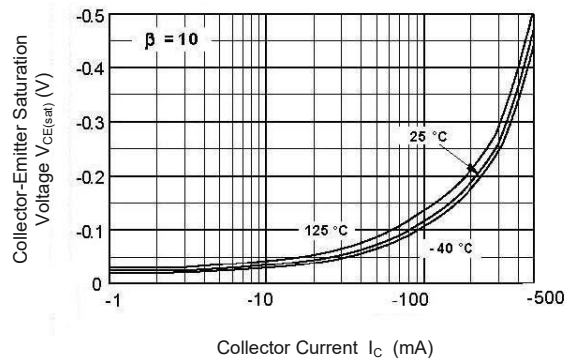
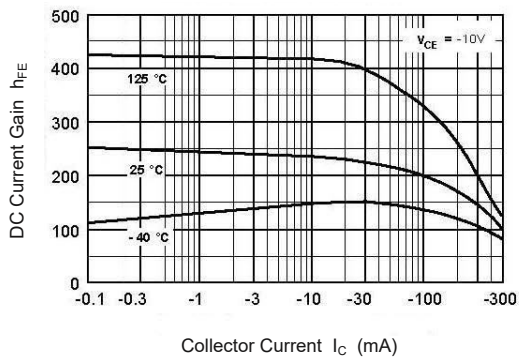
Parameter	Symbol	Value	Unit
Collector Base Voltage	$-V_{CBO}$	60	V
Collector Emitter Voltage	$-V_{CEO}$	60	V
Emitter Base Voltage	$-V_{EBO}$	5	V
Collector Current	$-I_C$	600	mA
Maximum Power Dissipation	$P_D$	500	mW
Junction Temperature	$T_J$	150	°C
Storage Temperature Range	$T_{STG}$	-55 to +150	°C



**Electrical Characteristics (T<sub>A</sub>=25°C)**

Parameter	Symbol	Min.	Max.	Unit
DC Current Gain at V <sub>CE</sub> = -10 V, I <sub>C</sub> = -0.1 mA at V <sub>CE</sub> = -10 V, I <sub>C</sub> = -1 mA at V <sub>CE</sub> = -10 V, I <sub>C</sub> = -10 mA at V <sub>CE</sub> = -10 V, I <sub>C</sub> = -150 mA at V <sub>CE</sub> = -10 V, I <sub>C</sub> = -500 mA	H <sub>FE</sub>	75 100 100 100 50	-- -- -- 300 --	--
Collector Base Cutoff Current at V <sub>CB</sub> = -50 V	-I <sub>CBO</sub>	--	10	nA
Collector Base Breakdown Voltage at I <sub>C</sub> = -10 μA	-V <sub>(BR)CBO</sub>	60	--	V
Collector Emitter Breakdown Voltage at I <sub>C</sub> = -10 mA	-V <sub>(BR)CEO</sub>	60	--	V
Emitter Base Breakdown Voltage at I <sub>E</sub> = -10 μA	-V <sub>(BR)EBO</sub>	5	--	V
Collector Emitter Saturation Voltage at I <sub>C</sub> = -150 mA, I <sub>B</sub> = -15 mA at I <sub>C</sub> = -500 mA, I <sub>B</sub> = -50 mA	-V <sub>CE(sat)</sub>	-- --	0.4 1.6	V
Base Emitter Saturation Voltage at I <sub>C</sub> = -150 mA, I <sub>B</sub> = -15 mA at I <sub>C</sub> = -500 mA, I <sub>B</sub> = -50 mA	-V <sub>BE(sat)</sub>	-- --	1.3 2.6	V
Transition Frequency at V <sub>CE</sub> = -20 V, I <sub>C</sub> = -50 mA, f = 100 MHz	F <sub>T</sub>	200	--	MHz
Output Capacitance at V <sub>CB</sub> = -10 V, f = 1 MHz	C <sub>ob</sub>	--	8	pF

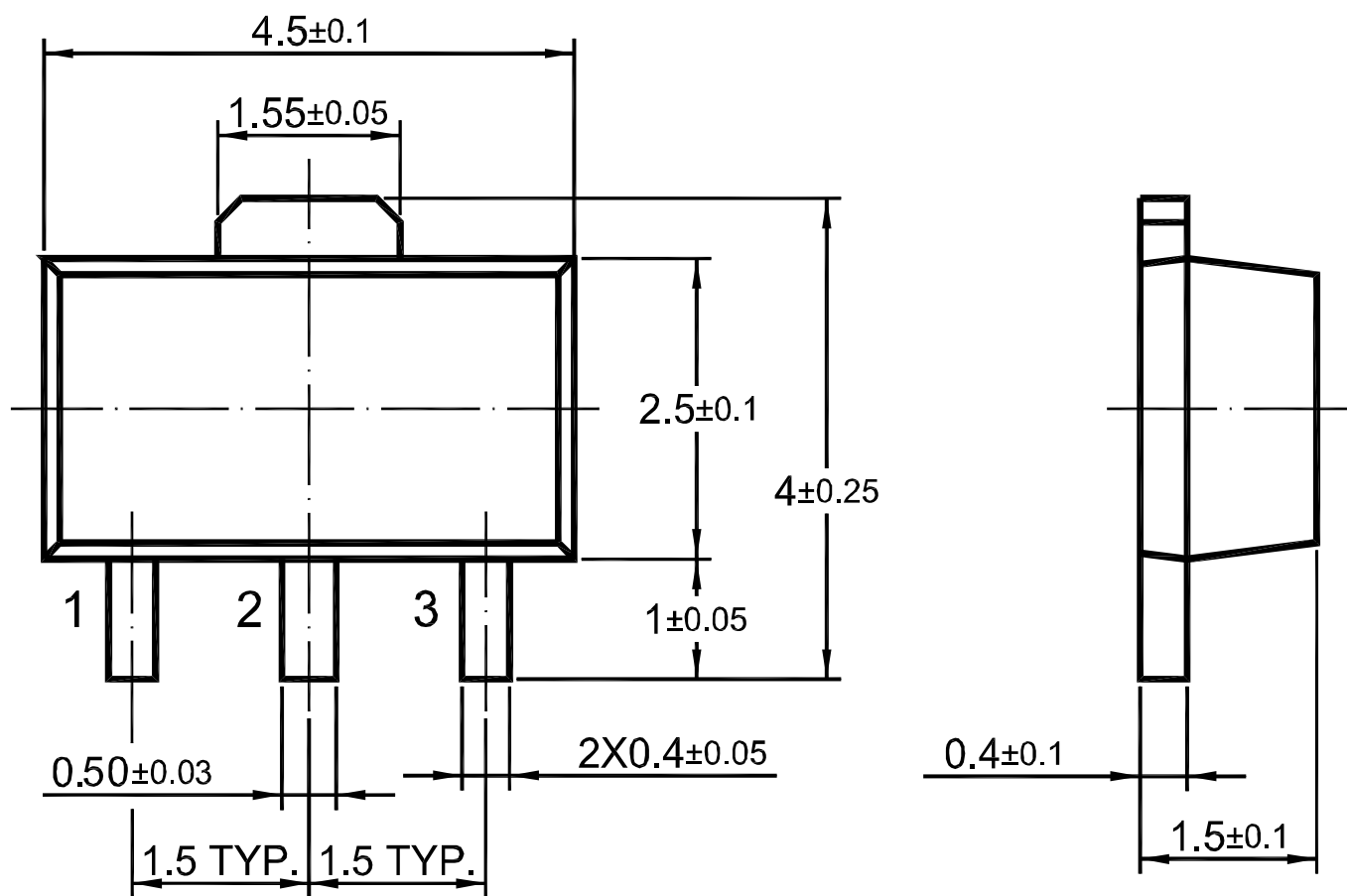
## Typical Characteristic Curves



### Package Outline

SOT-89

Dimensions in mm



### Ordering Information

Device	Package	Shipping
PXT2907A	SOT-89	1,000PCS/Reel&7inches
		3,000PCS/Reel&13inches

## Conditions of Soldering and Storage

### ◆ Recommended condition of reflow soldering



Recommended peak temperature is over 245 °C. If peak temperature is below 245 °C, you may adjust the following parameters:

- Time length of peak temperature (longer)
- Time length of soldering (longer)
- Thickness of solder paste (thicker)

### ◆ Conditions of hand soldering

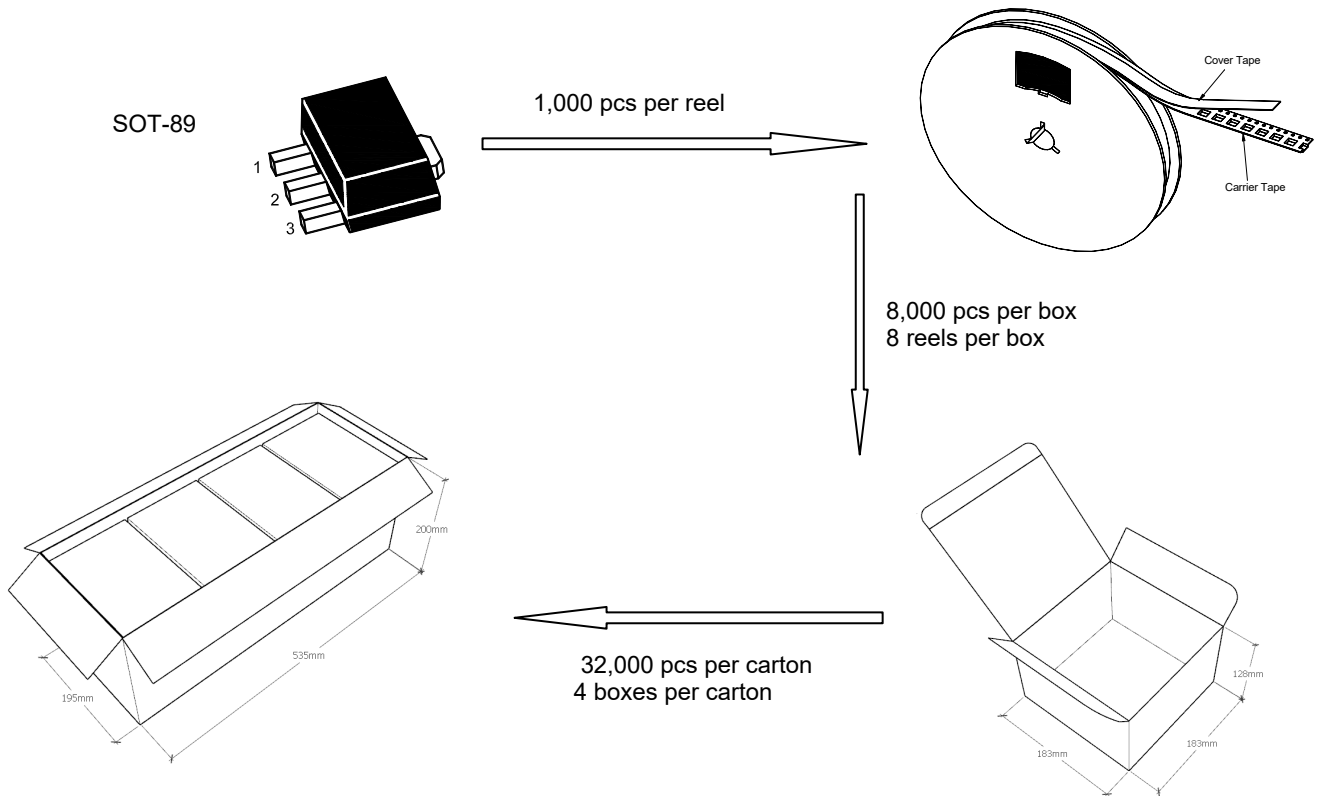
- Temperature: 370 °C
- Time: 3s max.
- Times: one time

### ◆ Storage conditions

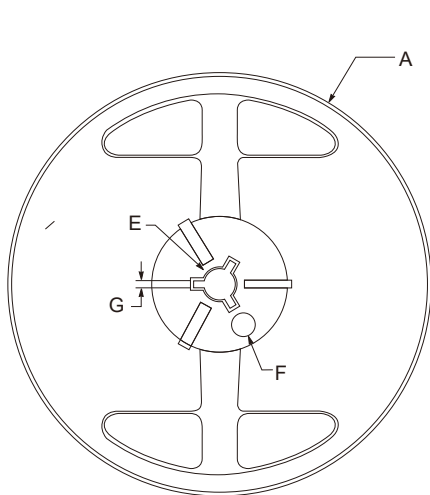
- **Temperature**  
5 to 40 °C
- **Humidity**  
30 to 80% RH
- **Recommended period**  
One year after manufacturing

## Package Specifications

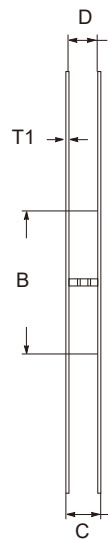
- The method of packaging (1,000PCS/Reel&7inches)



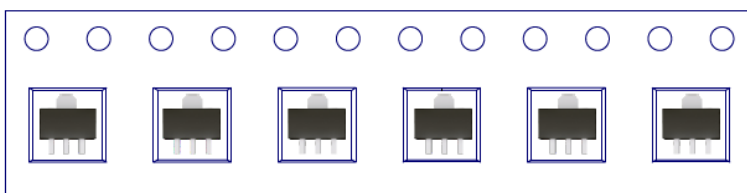
## ◆ Embossed tape and reel data



Reel (7")

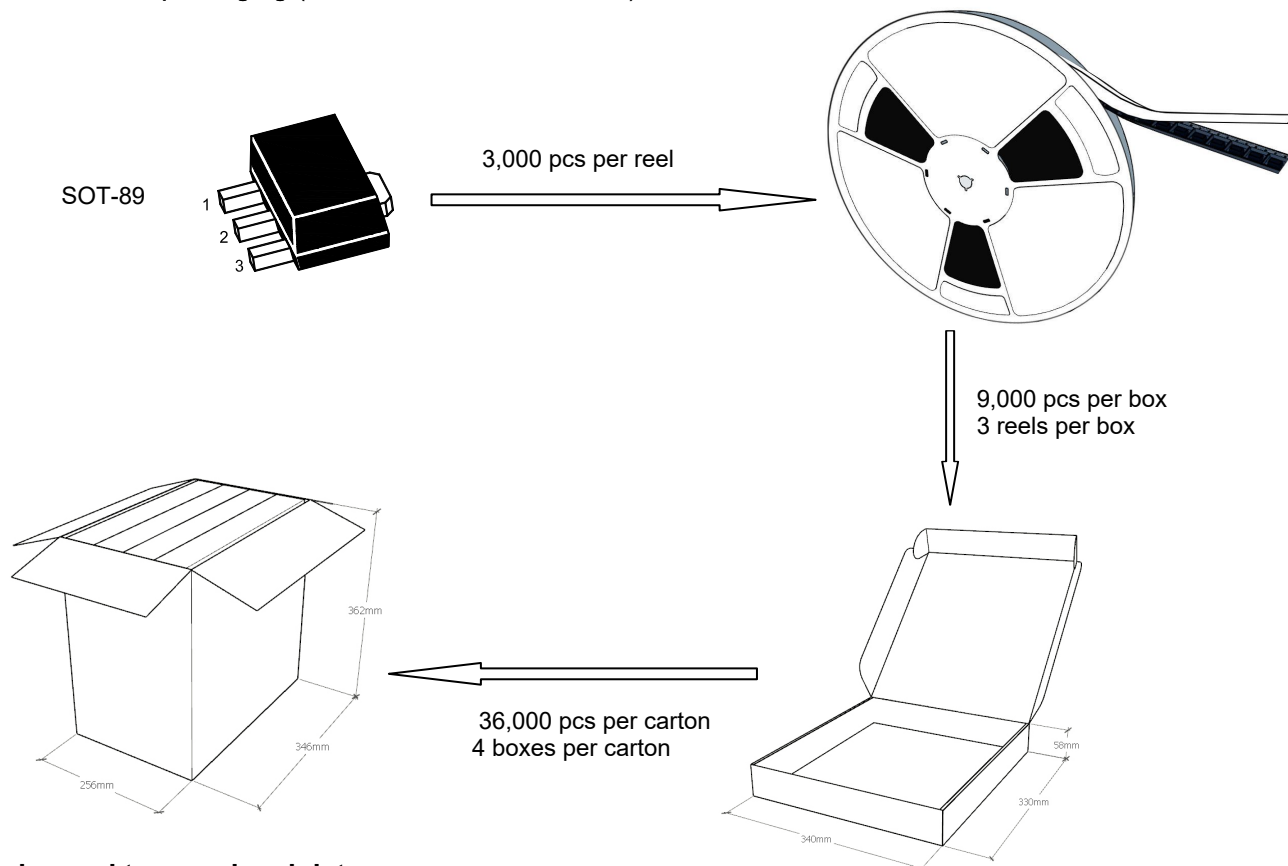


symbol	Value(unit:mm)
A	$\Phi 179 \pm 1$
B	$60.5 \pm 0.2$
C	$15.3 \pm 0.3$
D	12.5~13.7
E	$\Phi 13.5 \pm 0.2$
F	$\Phi 10.0 \pm 0.2$
G	$2.7 \pm 0.2$
T1	$1.0 \pm 0.2$

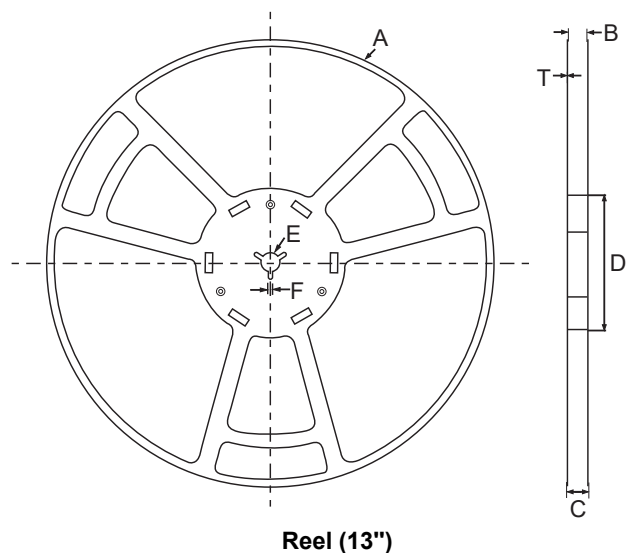


## Package Specifications

- The method of packaging (3,000PCS/Reel&13inches)



## ◆ Embossed tape and reel data



symbol	Value(unit:mm)
A	$\Phi 330 \pm 1$
B	$12.7 \pm 0.5$
C	$16.5 \pm 0.3$
D	$\Phi 99.5 \pm 0.5$
E	$\Phi 13.6 \pm 0.3$
F	$2.8 \pm 0.3$
T1	$1.9 \pm 0.2$

