

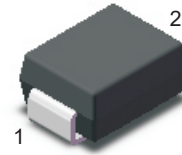


SS22B-PJ~SS220B-PJ Schottky Barrier Rectifiers

Features

- For surface mount applications
- High forward surge current capability
- Low profile package
- High efficiency
- Metal silicon junction, majority carriers conduction

SMB



Marking Code :

SS22B-PJ: SS22
 SS24B-PJ: SS24
 SS26B-PJ: SS26
 SS28B-PJ: SS28
 SS210B-PJ: SS210
 SS212B-PJ: SS212
 SS215B-PJ: SS215
 SS230B-PJ: SS220

Maximum Ratings and Electrical Characteristics

Ratings at 25°C ambient temperature unless otherwise specified. Single phase half-wave 60 Hz, resistive or inductive load, for capacitive load current derate by 20 %.

Parameter	Symbol	SS22B-PJ	SS24B-PJ	SS26B-PJ	SS28B-PJ	SS210B-PJ	SS212B-PJ	SS215B-PJ	SS220B-PJ	Unit
Maximum Repetitive Peak Reverse Voltage	V_{RRM}	20	40	60	80	100	120	150	200	V
Maximum RMS Voltage	V_{RMS}	14	28	42	56	70	84	105	140	V
Maximum DC Blocking Voltage	V_{DC}	20	40	60	80	100	120	150	200	V
Maximum Average Forward Rectified Current	$I_{F(AV)}$	2.0								A
Peak Forward Surge Current, 8.3ms Single Half Sine-wave Superimposed on Rated Load (JEDEC method)	I_{FSM}	55				45				A
Maximum Instantaneous Forward Voltage at 2A	V_F	0.55	0.70		0.85		0.95		V	
Maximum DC Reverse Current at Rated DC Blocking Voltage $T_A = 25\text{ }^\circ\text{C}$ $T_A = 100\text{ }^\circ\text{C}$	I_R	0.5	5		0.3		3		mA	
Typical Junction Capacitance ^{Note1}	C_j	220	110							pF
Typical Thermal Resistance ^{Note2}	$R_{\theta JA}$	60								°C/W
Junction Temperature	T_J	125								°C
Storage Temperature Range	T_{STG}	-55 to +150								°C

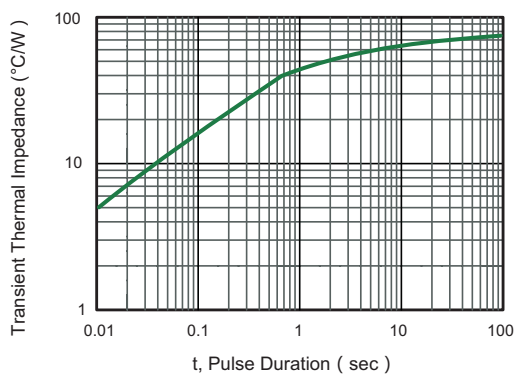
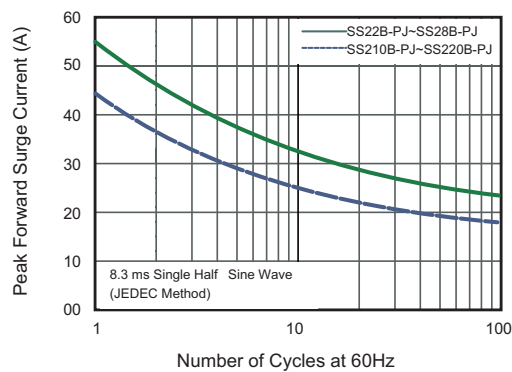
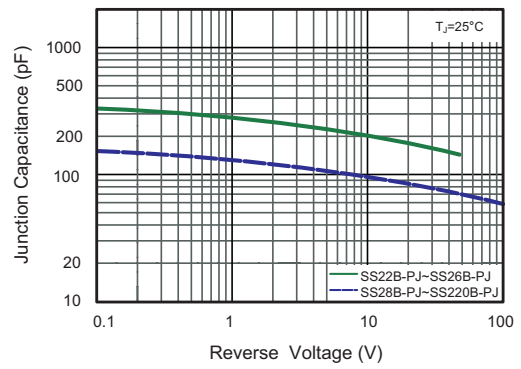
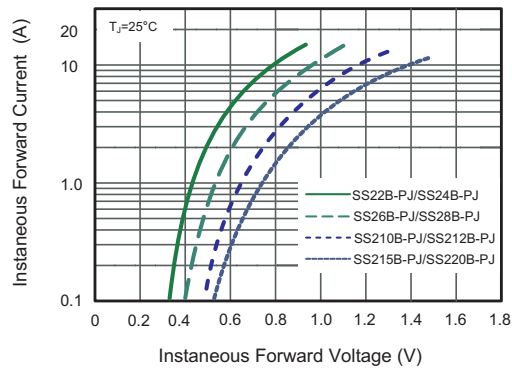
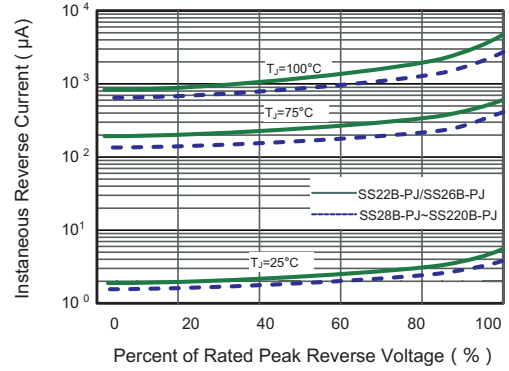
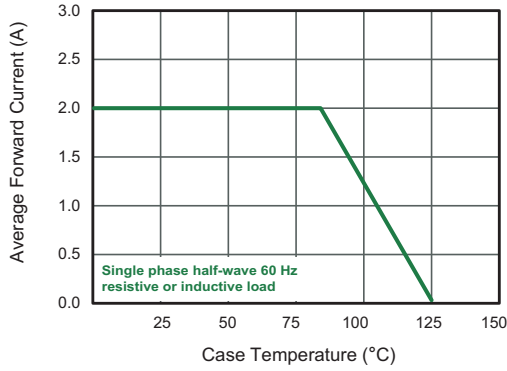
Note:

1. Measured at 1 MHz and applied reverse voltage of 4 V D.C
2. P.C.B. mounted with 2.0" X 2.0" (5 X 5 cm) copper pad areas.



SS22B-PJ~SS220B-PJ Schottky Barrier Rectifiers

Typical Characteristic Curves



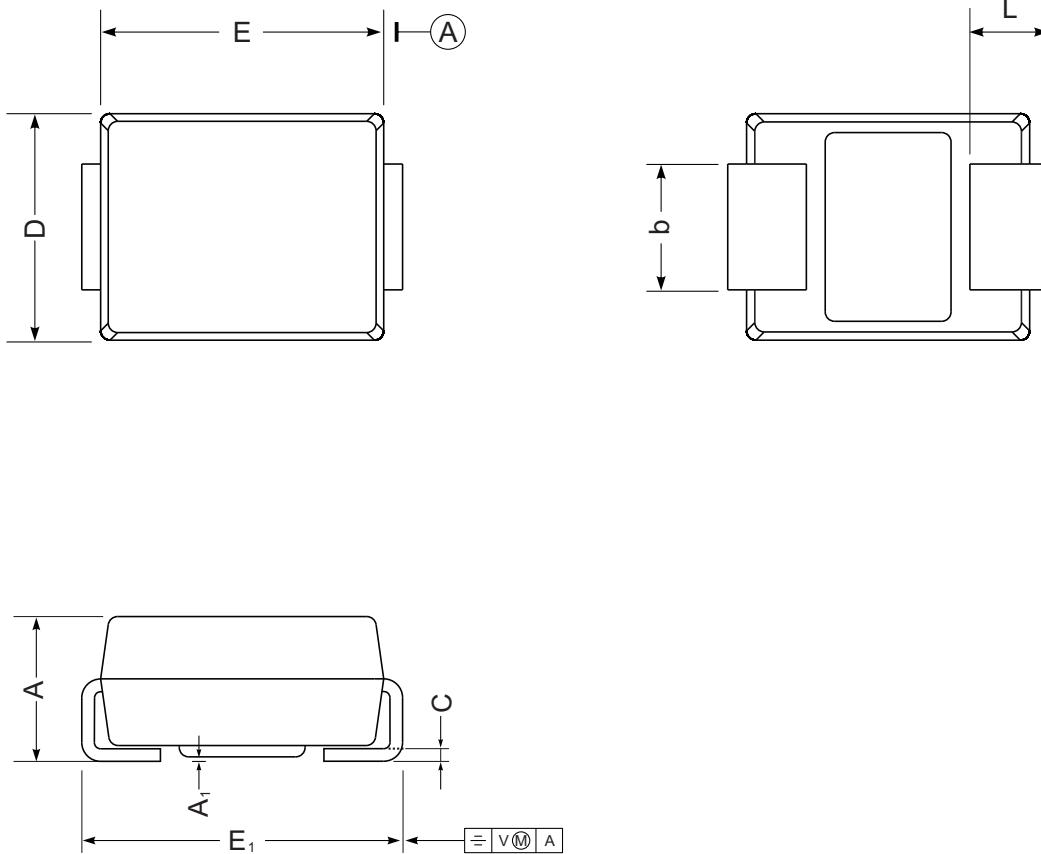


SS22B-PJ~SS220B-PJ Schottky Barrier Rectifiers

Package Outline

SMB

Dimensions in mm



UNIT		A	E	D	E1	A1	L	C	b
mm	max	2.44	4.70	3.94	5.59	0.20	1.5	0.305	2.2
	min	2.13	4.06	3.3	5.08	0.05	0.8	0.152	1.9
mil	max	96	185	155	220	7.9	59	12	87
	min	84	160	130	200	2.0	32	6	75